

Sequential Analogue Switch V2 (doc rev2)

This sequential switch allows you to route Audio or CV sequentially from one source to four destinations or the other way round. You can do this either manually using the momentary switches, or using a clock signal. As long as the Reset input is high, the switches holds in position 1 (freeze). See function Diagramm to the right.

Features: O/I routed to four I/O and v.v., Clock Input, Reset Input, Manual Step, Manual Reset, 2, 3 or 4-steps select.

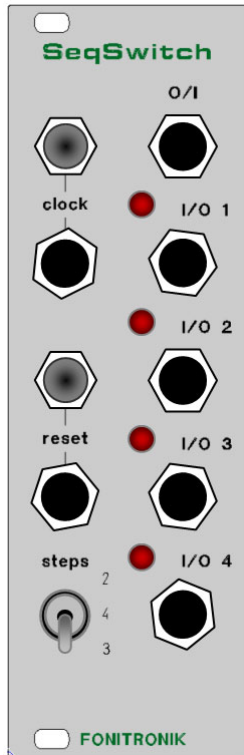
Below you see two versions of the silkscreen. The upper shows the real values of the components, whereas the lower is the actual silkscreen of the board you bought, showing the labels. On the lower silkscreen you will also find a depiction of the step switch wiring and the exemplary wiring of one momentary switch and one jack socket. Also refer to the schematic.

J3-J7 provide footprints for common MTA-style conectors and for Cliff 1384 sockets. The squared pad is the tip signal. The PCB also provides footprints for DOTCOM, MOTM and Doepfer connectors. See silkscreen for pinout.

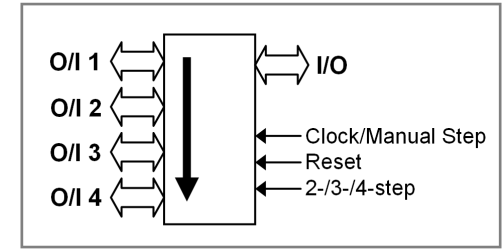
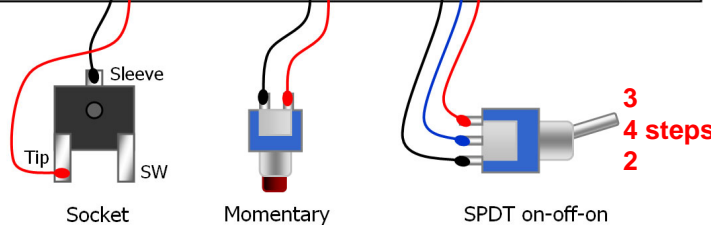
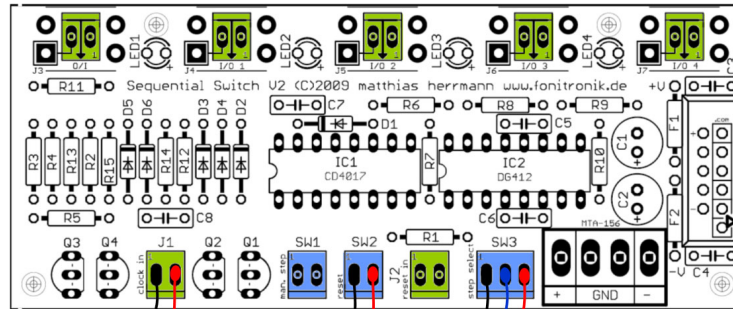
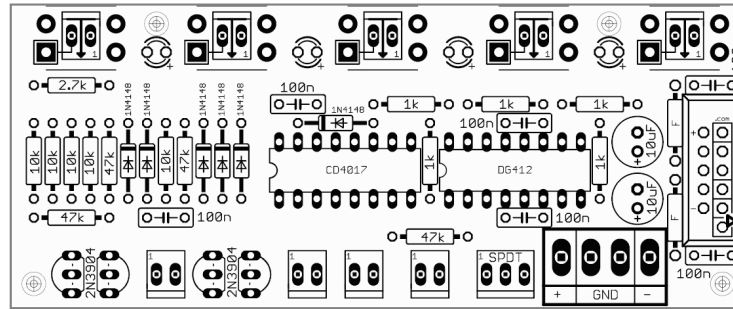
I tried MAX313, DG412 and the older DG212 ICs. All work well.

So have fun with it!

Cheers,
Matthias



Suggestion for a front panel
8TE EURO-Module



Block-/Function-Diagram

| BOM | | |
|-----|-------|-------|
| Qty | Value | Label |

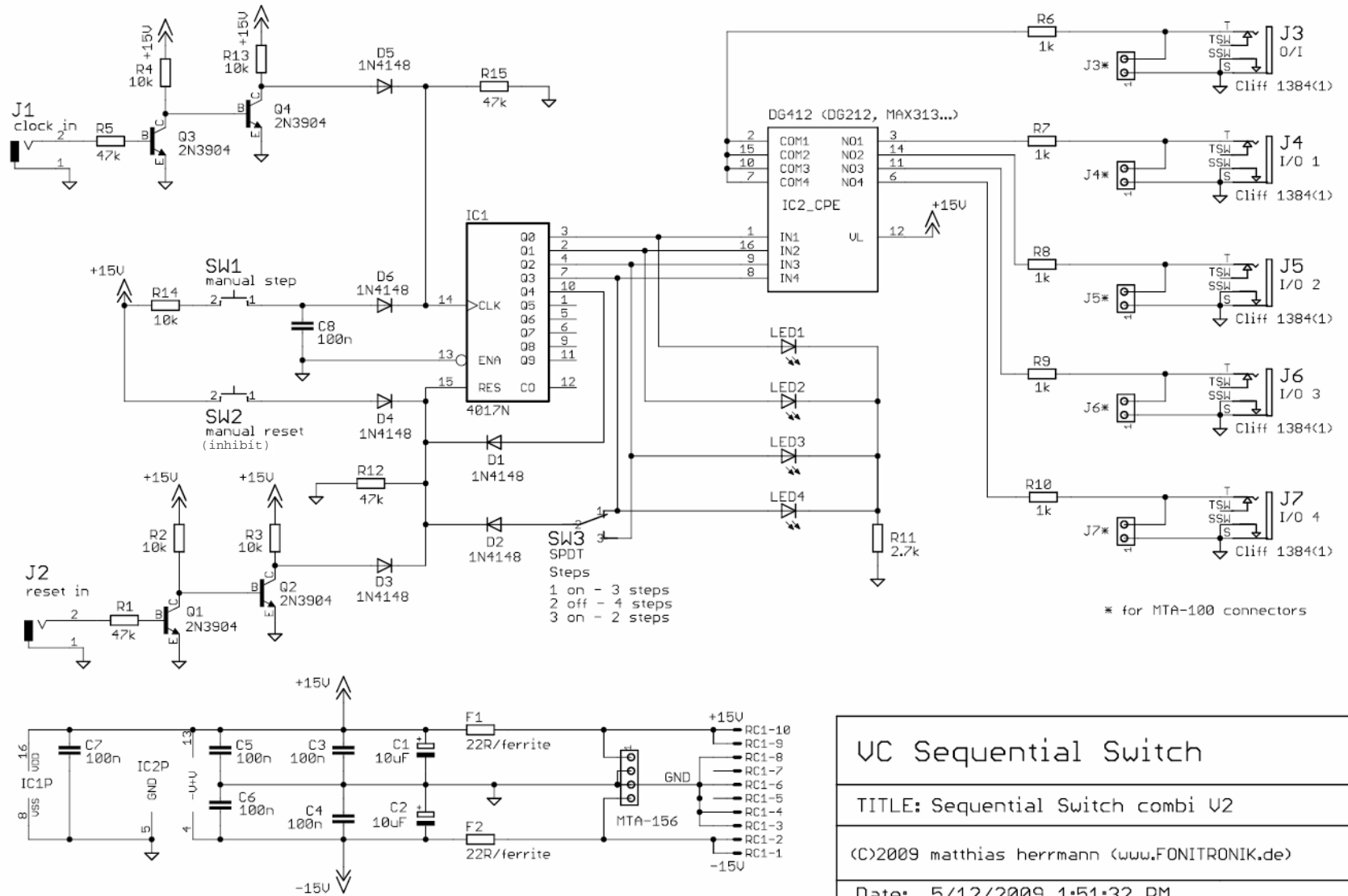
| Resistors | | |
|-----------|----------------|------------------|
| 2 | 22R or ferrite | F1, F2 |
| 5 | 1k | R6-R10 |
| 1 | 2.7k | R11 |
| 5 | 10k | R2-4, R13, R14 |
| 4 | 47k | R1, R5, R12, R15 |

| Capacitors | | |
|------------|--------------|--------|
| 6 | 100n | C3-8 |
| 2 | 10uF (elec.) | C1, C2 |

| Semi's | | |
|--------|---------------|------|
| 4 | 2N3904 | Q1-4 |
| 6 | 1N4148 | D1-6 |
| 1 | MAX313, DG412 | IC2 |
| 1 | 4017N | IC1 |

| Hardware | | |
|----------|------------------|----------|
| 4 | LED low current | LED1-4 |
| 7 | Jack sockets | J1-J7 |
| 1 | SPDT on-off-on | SW3 |
| 2 | Momentary Switch | SW1, SW2 |

DO NOT COPY OR DISTRIBUTE BY ANY MEANS. PRIVATE USE ONLY.



| |
|---|
| UC Sequential Switch |
| TITLE: Sequential Switch combi U2 |
| (C)2009 matthias herrmann (www.FONITRONIK.de) |
| Date: 5/12/2009 1:51:32 PM |