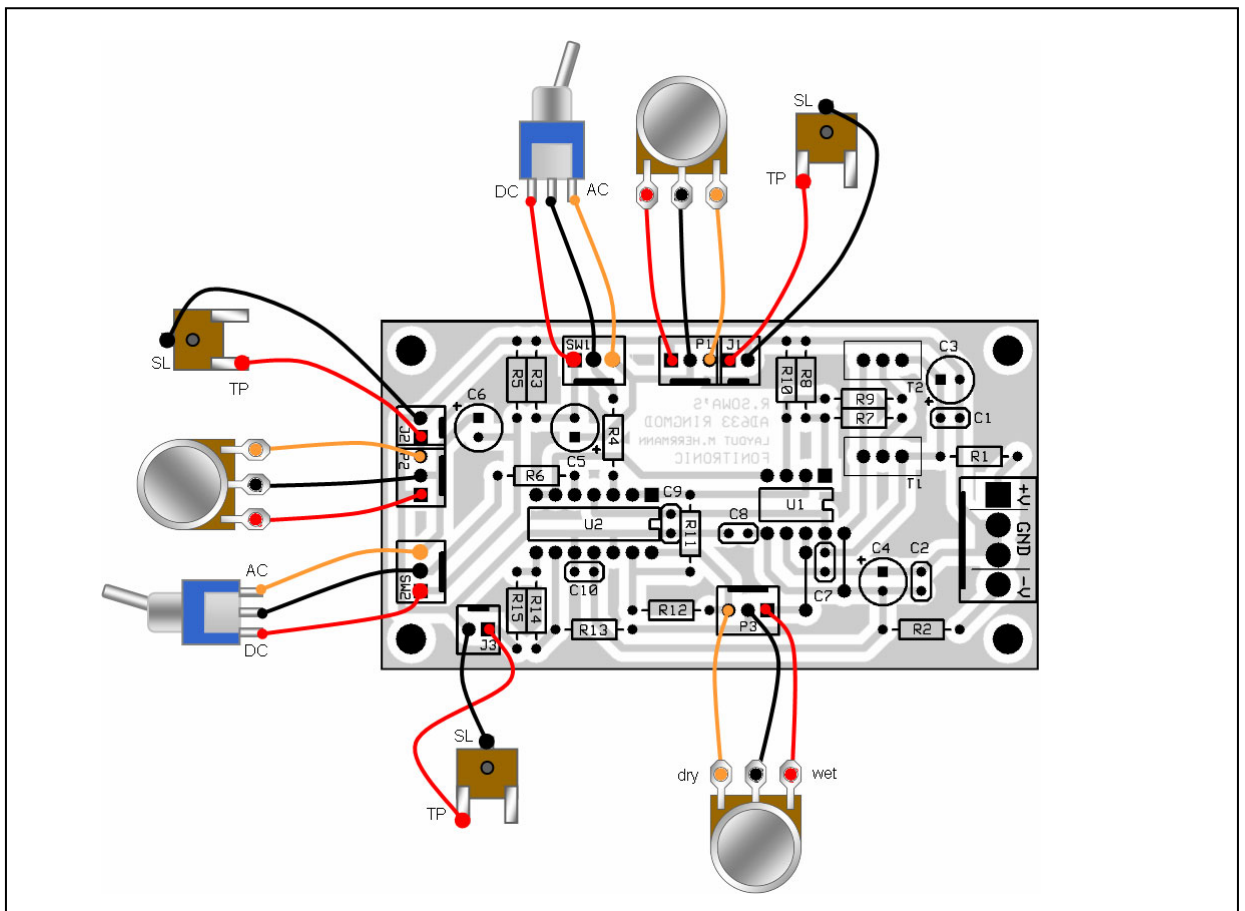
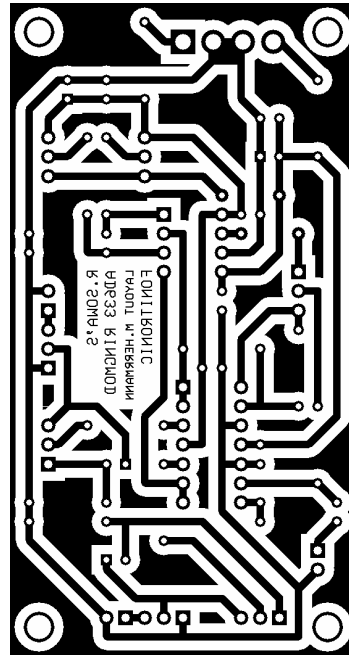


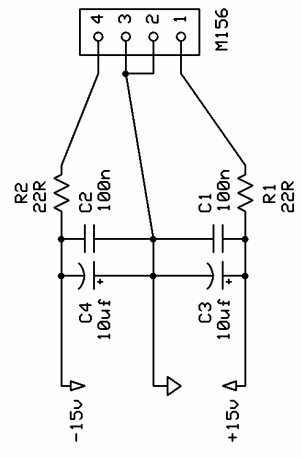
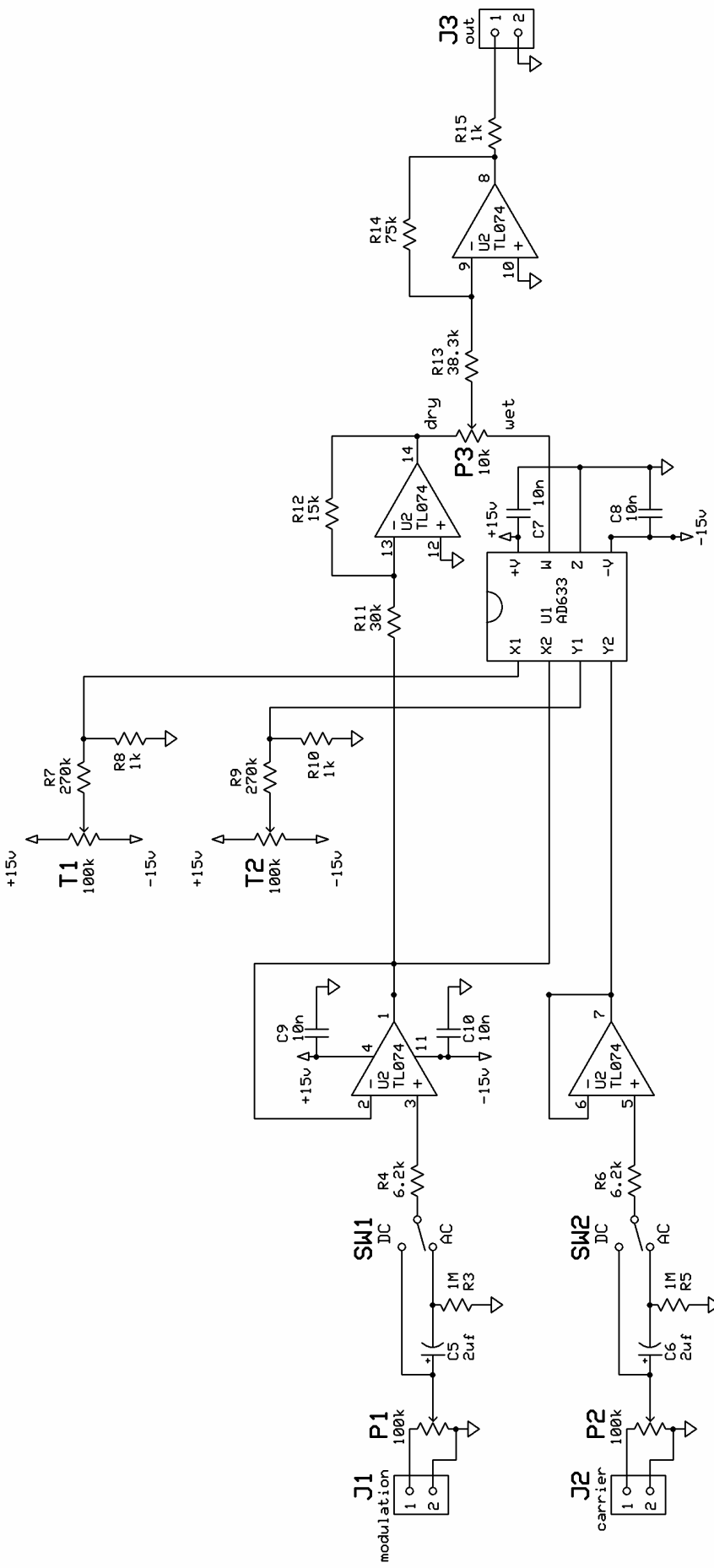
Roman Sowa's simple AD633 RingMod

<http://www.sowa.synth.net/modular/rm.html>

C7-C10	10n
C1, C2	100n
C5, C6	2.2uf
C3, C4	10uf
R1, R2	22R
R8, R10,R15	1k
R4, R6	6.2k
R12	15k
R11	30k
R13	38.3k (i used 39k)
R14	75k
R7, R9	270k
R3, R5	1M
T1, T2	100k trimmer
	25-turn
P1 (mod att.)	100k
P2 (carr. Att.)	100k
P3 (mix)	10k
J1	modulation
J2	carrier
J3	out
SW1 (on-on)	AC/DC modulation
SW2 (on-on)	AC/DC carrier
U1	AD633
U2	TL074

ready for press'n'peel blue





Roman Sowa's AD633 ringmod

redrawn by Matthias Herrmann

Rev 1.0
5 NOV 07