

SSM2044 VCF

www.modular.fonik.de

elec

C3, C4, C10 10uf

ceramic

C9 15pF
 C5 820pF
 C6, C7, C8 10n
 C1, C2 100n

resistors

R1, R2 22R
 R3, R14 220R
 R12 1k
 R17 (tempco) 1k PT146
 R13, R24 4.7k
 R4, R5, R6, R7,
 R10, R15, R19 47k
 R8, R9, R23 100k
 R16 150k
 R18 200k
 R11 270k

precision trimmers

T1 (scale) 50k
 T2 (init) 50k
 T3 (Q) 20k

potentiometers

P1 (CV1 gain) 50k
 P2 (cutoff) 50k
 P3 (Q) 50k

semi's

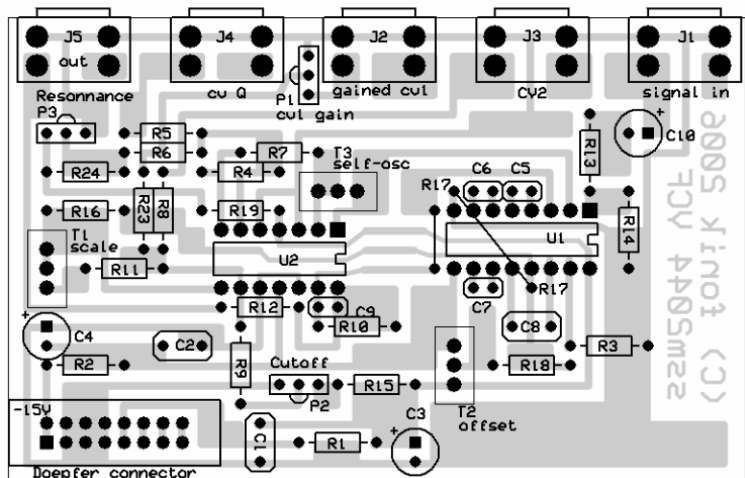
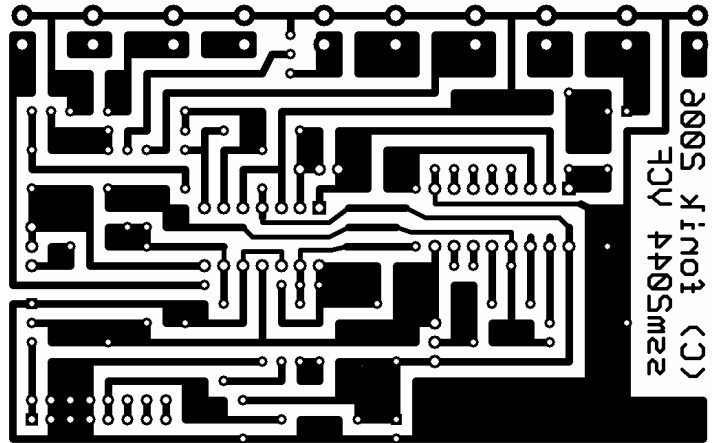
U1 SSM2044
 U2 TL084

cliff sockets

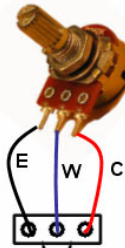
J1 in
 J2 cv1 f
 J3 cv2 f
 J4 cv q
 J5 out

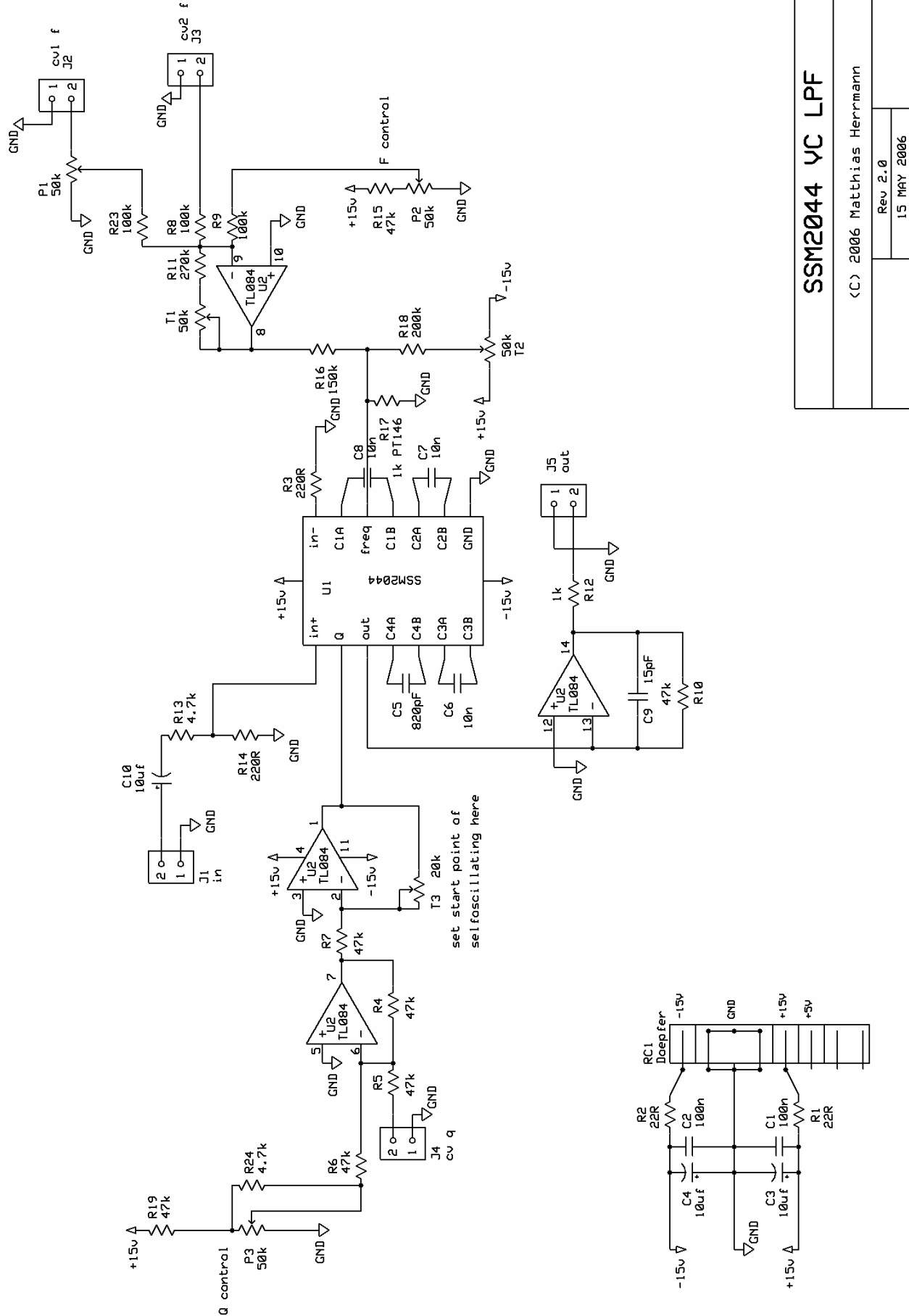
RC1 Doepfer

(ready for press'n'peel blue)



How to connect
 the pots:





SSM2044 VC LPF

(C) 2006 Matthias Herrmann

Rev 2.0
15 MAY 2006