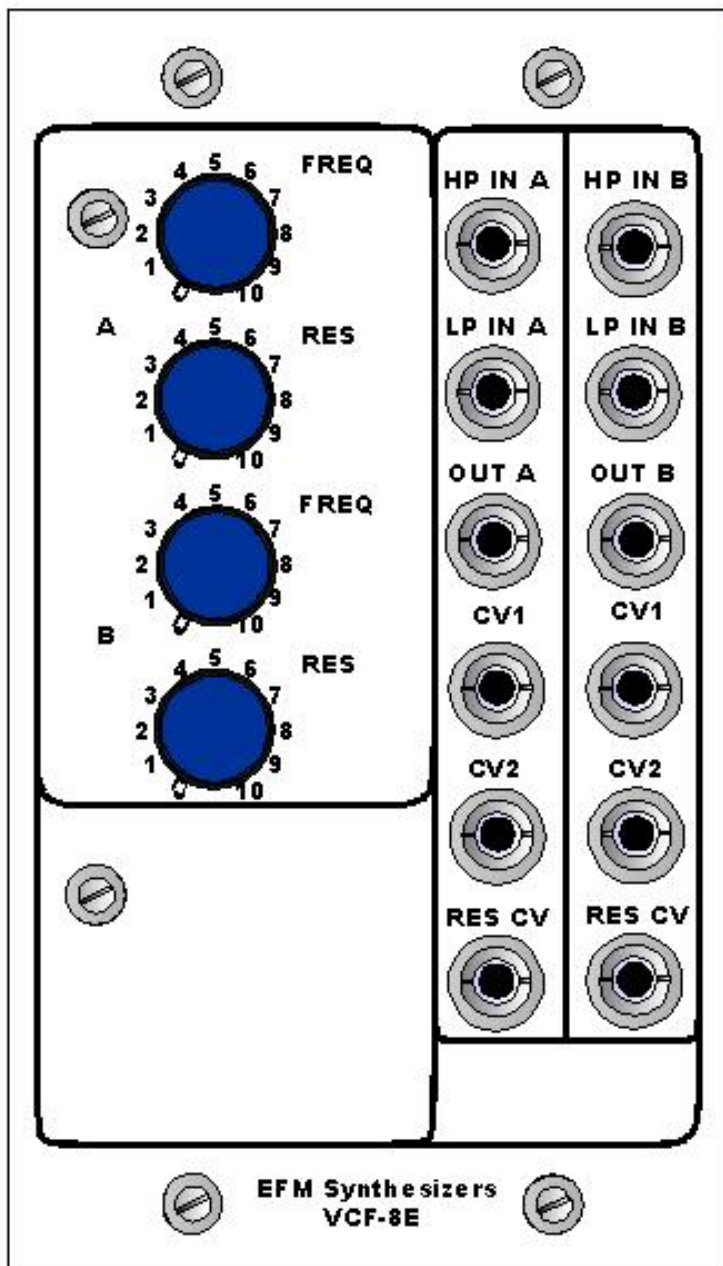


# EFM Synthesizers

VCF 8e

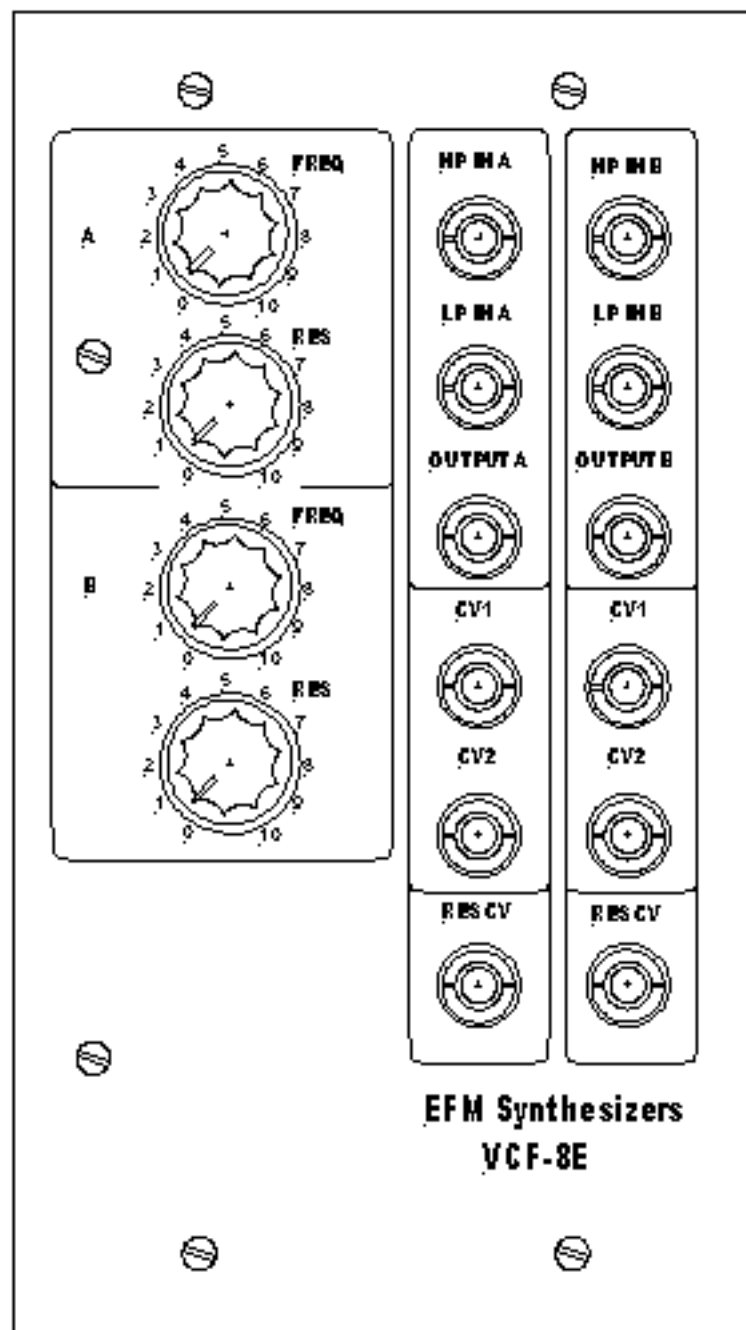


Dual voltage controlled filter based on the Korg MS20. Features...

- 2 - 2 Pole HP/LP Sallen Key
- Voltage controlled resonance
- +/-12 or +/- 15V



## VCF8E



## PARTS LIST

**CAPACITORS**

C1,C2,	0.1	2
C3,C4,C6,C7	.002	4
C5,C8	33/16	2

**RESISTORS**

R1,R4,R5,R7,R9,R10,R14,R20,		
R21-R26,R29,R30,R31,R34,	10K	26
R35,R39,R45-R50		
R2,R3,R6,R8,R27,R28,R32,R33	220	8
R11,R15-R18,R36,R40-R43	47K	8
R12,R37	1K	2

R13,R38	33K	2
R19,R44	680	2

**POTENTIOMETERS**

P1,P4	50K	4
<b>TRIMMER</b>		
T1,T2	50K	2

**TRANSISTORS**

Q1-Q6	2N3906	6
-------	--------	---

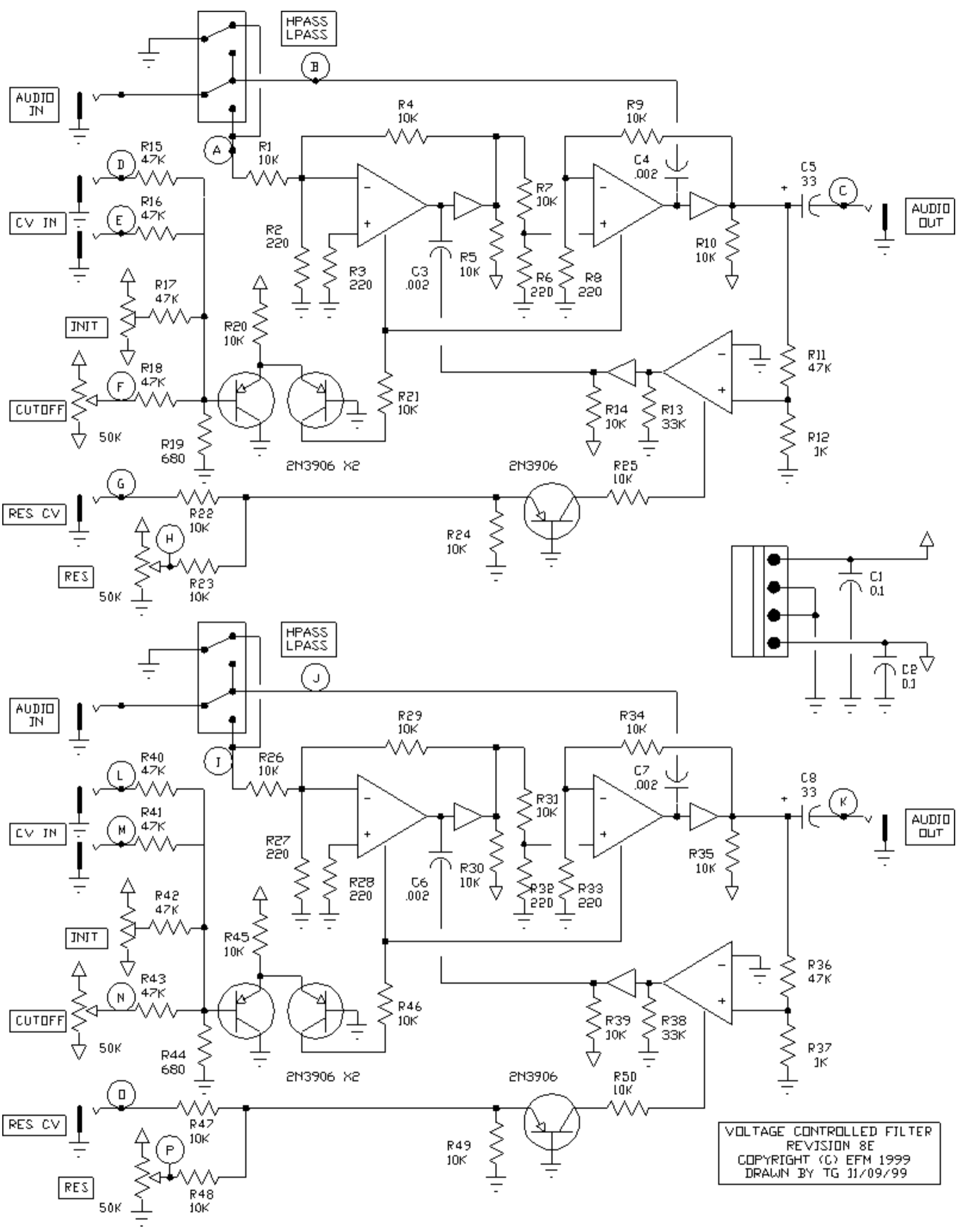
**ICS**

U1-U3	LM13600	3
-------	---------	---

**JACKS**

1/4 PHONE		10
-----------	--	----

# Schematic



VOLTAGE CONTROLLED FILTER  
 REVISION 8E  
 COPYRIGHT (C) EFM 1999  
 DRAWN BY TG 11/09/99

## Parts Placement

