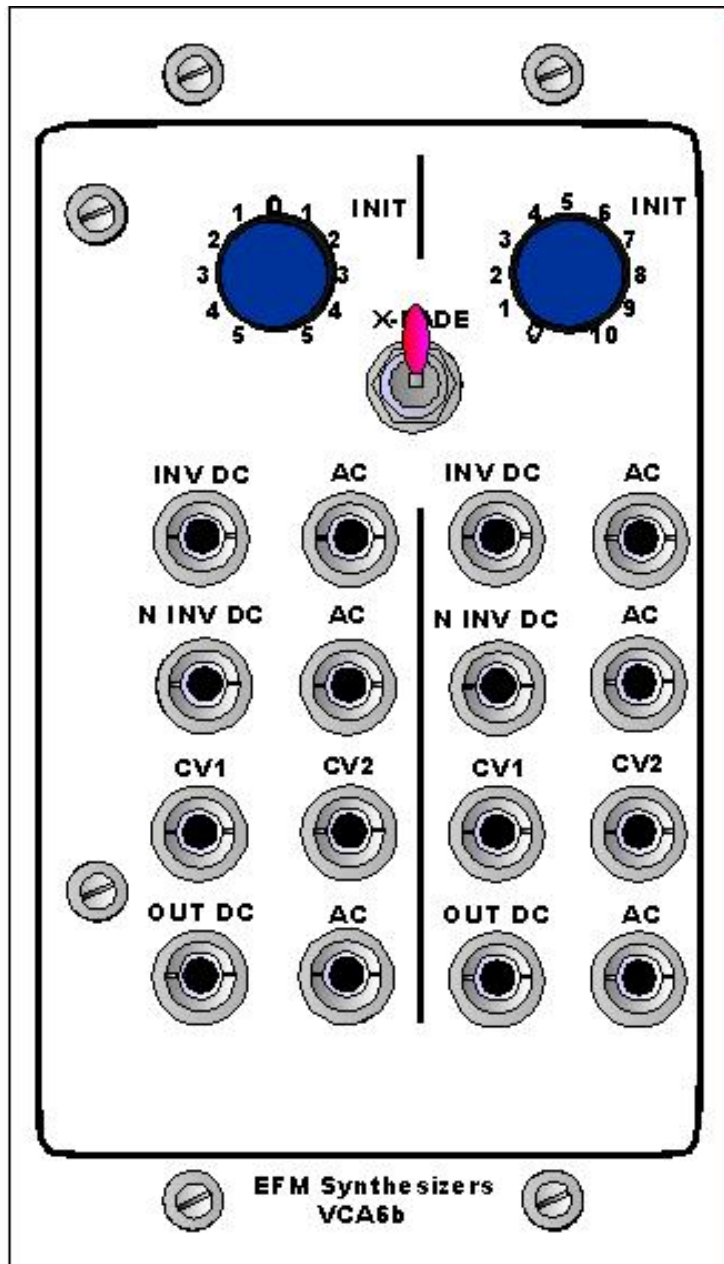


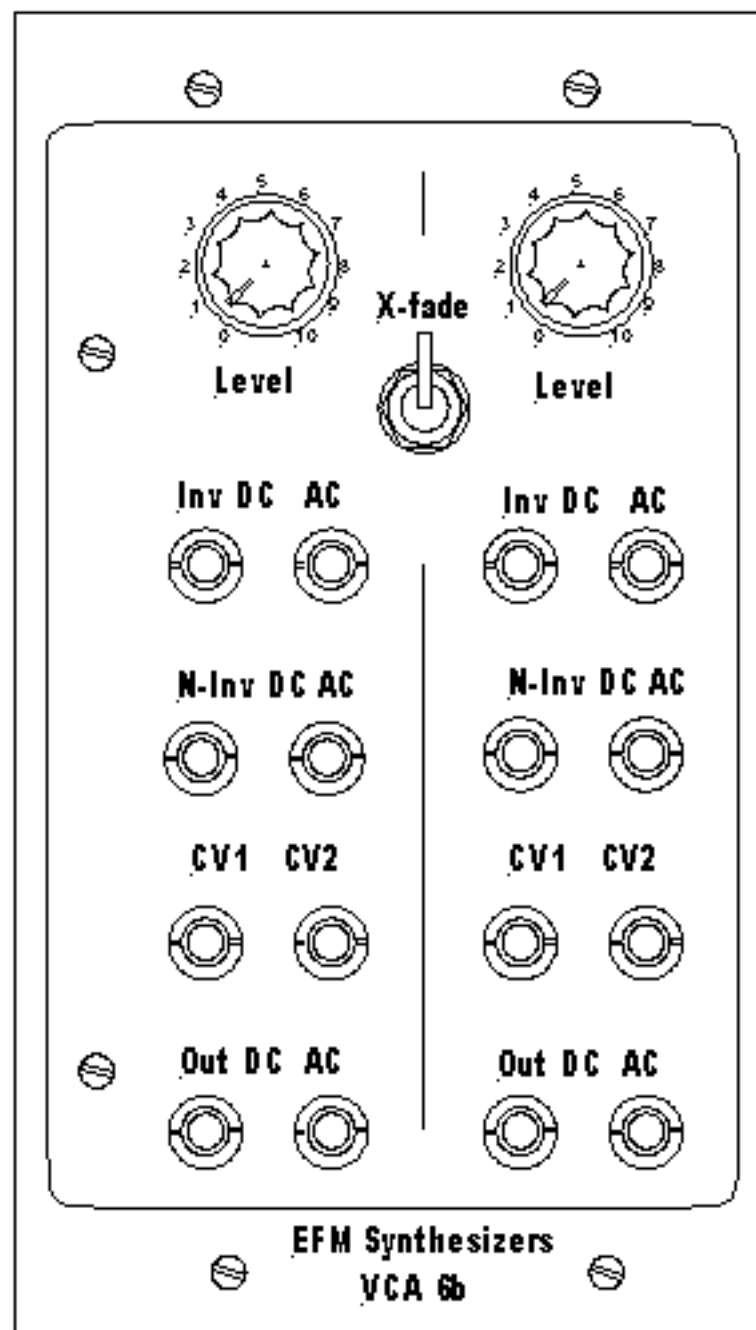
EFM Synthesizers

VCA 6b



Dual Voltage controlled amplifier
Features...

- True Crossfade
- DC and AC coupled inputs and outputs
- +/-12 or +/- 15V

VCA6B**Parts****CAPACITORS**

C1,C2	0.1	2
C3,C4,C6,C7	.22	4
C5,C8	22/16	2

RESISTORS

R1-R4,R10-14,R17, R19-R21,R27-R31,R34	100K	18
R5,R6,R22,R23	220	4
R7,R9,R24,R26	10K	4
R8,R15,R25,R32	47K	4
R16,R33	1K	2

POTENTIOMETERS

P1,P2	50K	2
-------	-----	---

TRIMMER

T1-T6	50K	6
-------	-----	---

TRANSISTORS

Q1-Q4	2N3906	4
-------	--------	---

ICS

U1	LM13600	1
U2	TLO72	1

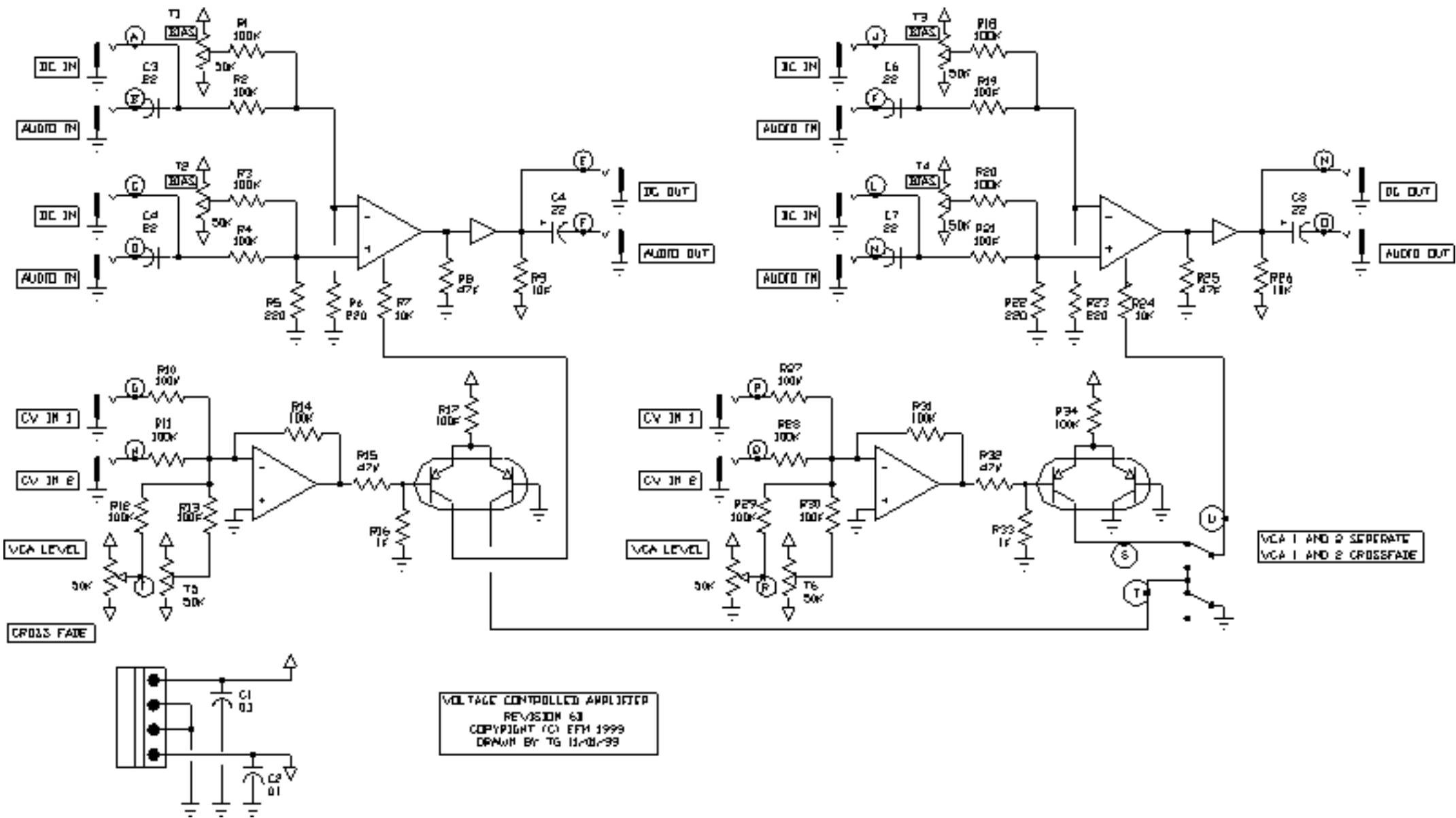
SWITCHES

DPDT		1
------	--	---

JACKS

1/4 PHONE		16
-----------	--	----

Schematic



Part Locations

