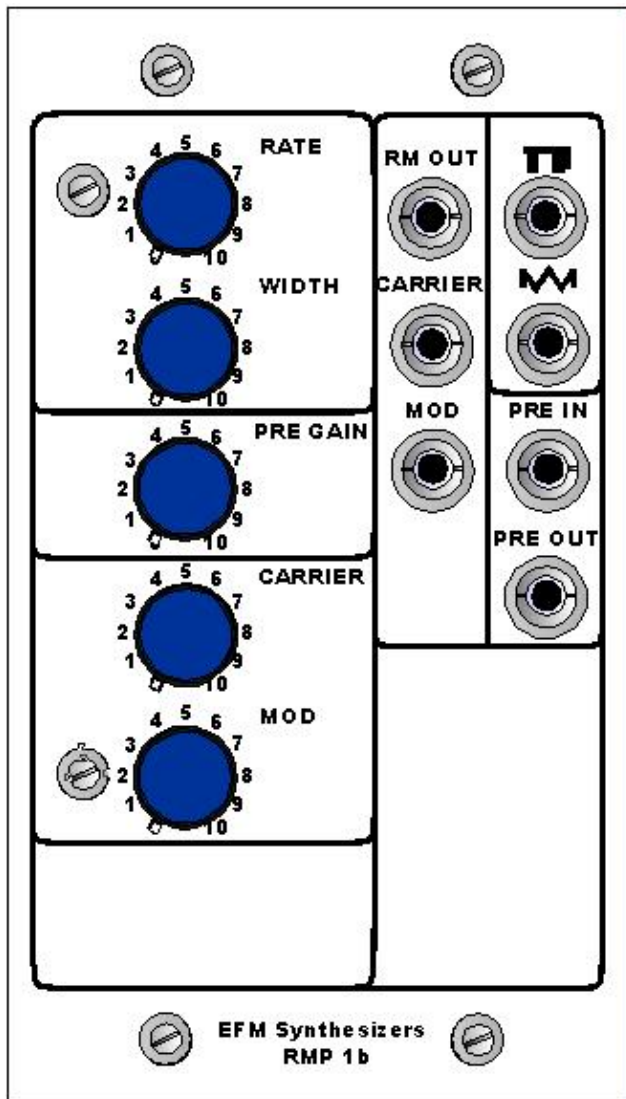


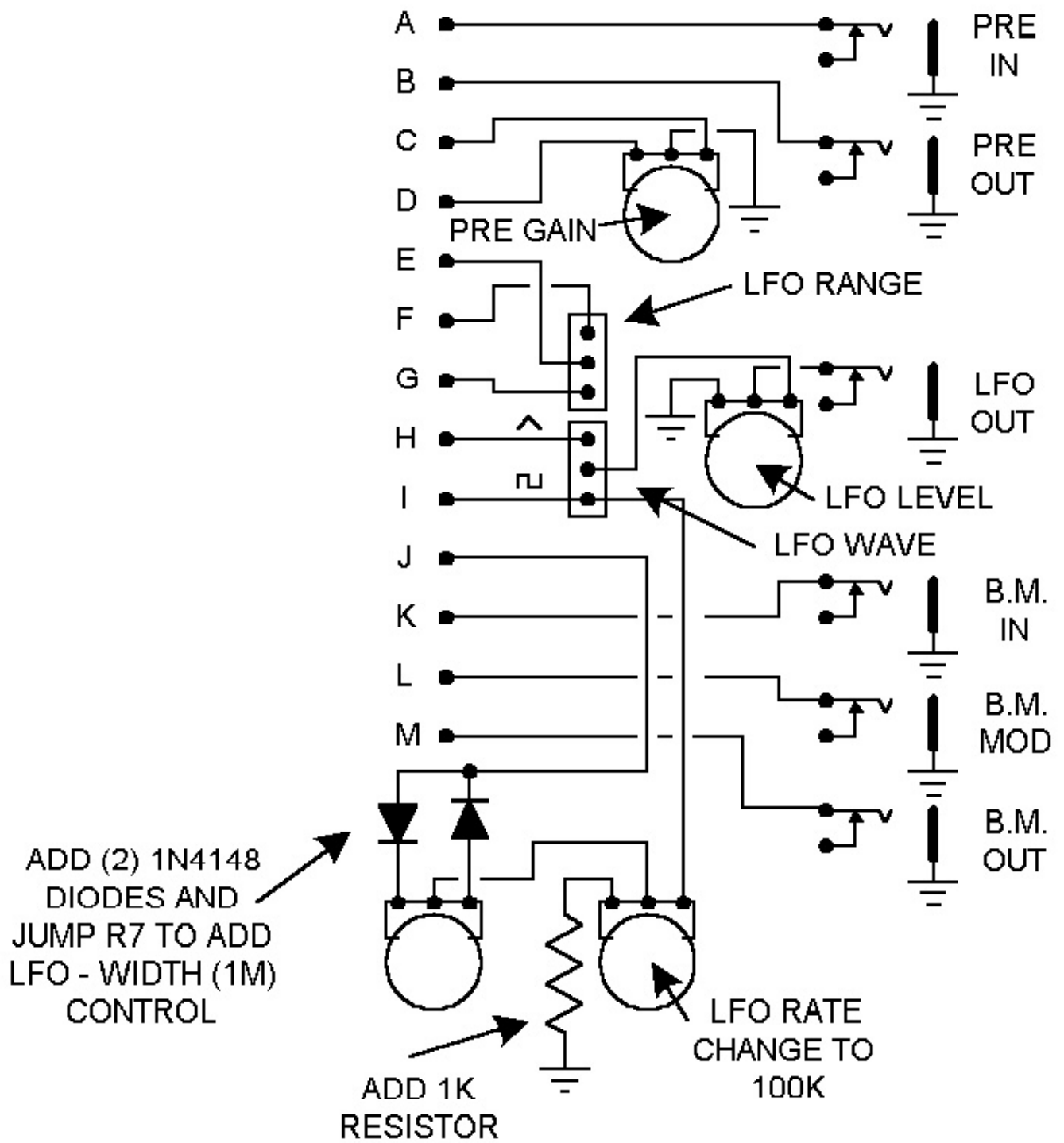
EFM Synthesizers

RMP 1B



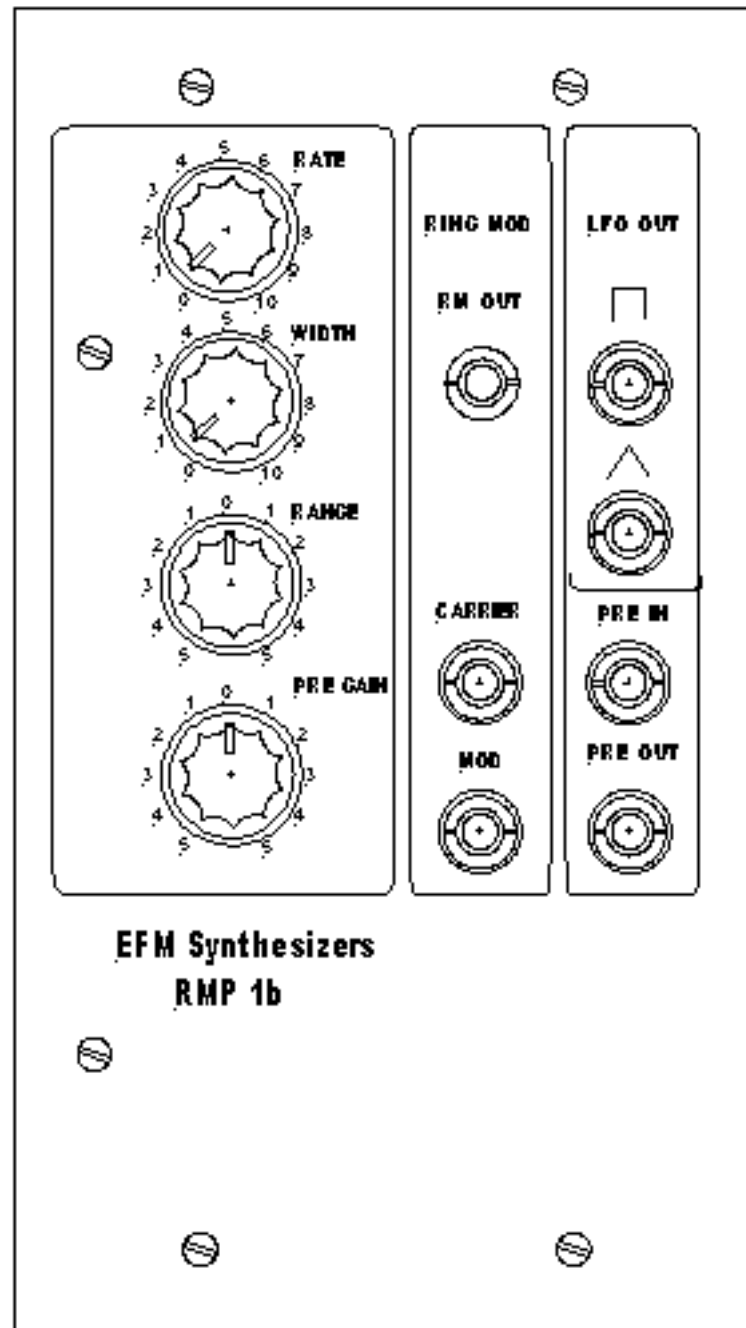
Ring Modulator / LFO / Preamp.
Features...

- True 1496 Balanced modulator
- Excellent carrier modulator null
- +/-12 or +/- 15V





RMP1B



PARTS LIST

CAPACITORS

C1,C2,C3,C7	0.1	4
C4,C5,C8-C10	10/16	5

RESISTORS

R1,R2	100K	2
R3	1K	1
R4,R5,R6,R15,R19,R20	10K	6
R7	470	1
R8	22K	1
R9,R10	47K	2
R11,R12,R13,R14	4.7K	4
R16,R17	2.2K	2
R18	5.6K	1

POTENTIOMETERS

P1	100K	1
P2,P3	50K	

TRIMMER

T1,T2	10K	2
-------	-----	---

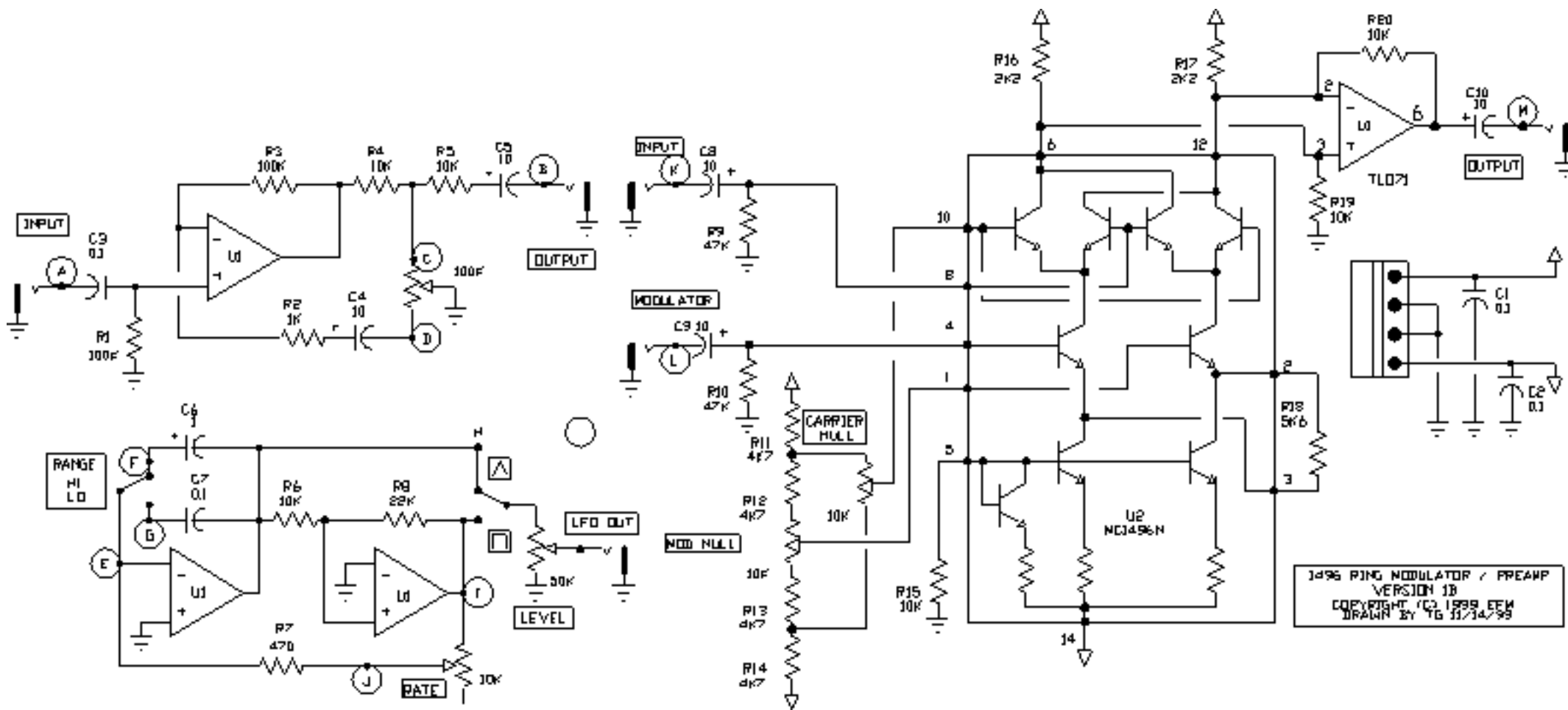
ICS

U1	TLO74	1
U2	MC1496	1

JACKS

1/4 PHONE		6
-----------	--	---

Schematic



Parts Layout

